

## B Series Rotary Valve Dispensing Pumps

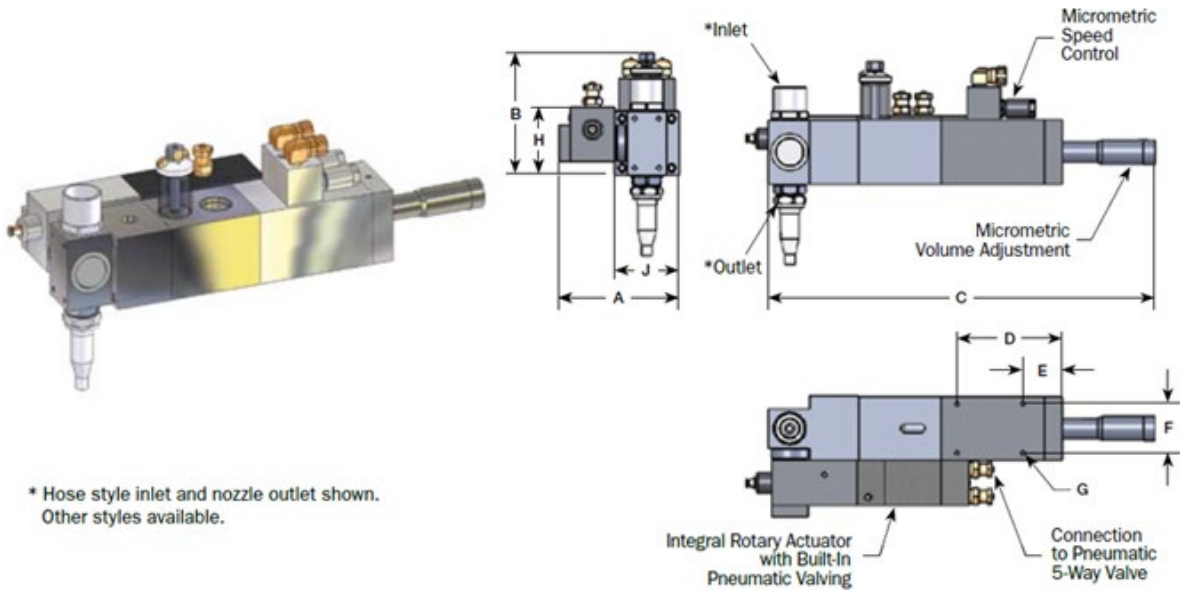
The B Series Rotary Valve style Precision Dispensing Pumps have been servicing the cosmetic, food, pharmaceutical and technical industries for over 30 years. These pumps are ideally suited for medium to high viscosity applications (>5000 cps) that require dispensing of .050 to 20 ml per shot.



### B Series Rotary Valve Dispensing Pumps Features:

- \* A number of different pump construction materials are available to insure product compatibility.
- \* Pneumatic Piston Pump provides extremely high dispensing accuracies, typically  $\pm 1/2\%$  or better.
- \* Precise dispense volume and speed control via adjustment of the built-in micrometers and precision needle valves.
- \* Wear resistant ceramic rotary valve handles high viscosity fluids with particulates up to 100,000 cps.
- \* Higher viscosities achievable with pressurized infeed. Consult us for details.
- \* Flexible design that can adapt to changing dispensing needs for new applications.
- \* Easy to disassemble, clean and maintain.
- \* Wide range of fill nozzles and accessories are available to suit specific applications.
- \* Servo motor driven models are also available.

# B Series Rotary Valve Dispensing Pumps



Model	Plunger Diameter		Stroke inch (mm)	Maximum Dispensing Volume (cc)	Cycle Speed (cpm)	Air consumption scfm (l/min)	External Dimensions inch (mm)										Weight lbs (kg)
	inch	mm					A	B	C	D	E	F	G	H	J		
1BR-3M	3/16	(4.8)	1/2 (12.7)	0.230	0-150 <sup>A</sup>	0.5 (14.1) <sup>B</sup>	3.39 (86)	3.45 (88)	8.9 (226)	2.52 (64)	0.89 (23)	1.25 (32)	8-32	1.93 (49)	1.70 (43)	7.0 (3.2)	
1BR-4M	1/4	(6.4)		0.400													
1BR-5M	5/16	(7.9)		0.630													
1BR-7M	7/16	(11.1)		1.230													
1BR-10M	5/8	(15.9)		2.510													
2BR-8R	1/2	(12.7)	1 (25.4)	3.22	0-120 <sup>A</sup>	1.3 (36.8) <sup>B</sup>	3.66 (93)	3.71 (94)	11.78 (299)	3.2 (81)	1.2 (30)	1.5 (38)	8-32	2.06 (52)	1.96 (50)	9.0 (4.1)	
2BR-10R	5/8	(15.9)		5.03													
2BR-12	3/4	(19.1)		7.24													
2BR-14	7/8	(22.2)		9.85													
2BR-17	1-1/8	(27.0)		14.52													
2BR-20	1-1/4	(31.8)		20.11													

<sup>A</sup> Maximum cycle rate is application dependent    <sup>B</sup> Calculated at full stroke at 100 cpm, 75 PSI (5Bar)

Applications			
Cosmetics	Food	Pharmaceutical	General
<ul style="list-style-type: none"> <li>* Mascara</li> <li>* Exfoliant</li> <li>* Lipstick</li> <li>* Creams</li> <li>* Lotions</li> <li>* Shampoos</li> <li>* Antiperspirant</li> <li>* Lip Gloss</li> <li>* Nail Lacquer</li> <li>* Foundation</li> </ul>	<ul style="list-style-type: none"> <li>* Salad Dressing</li> <li>* Popcorn Oil</li> <li>* Ketchup/Mustard</li> <li>* Marmalade</li> <li>* Sauces</li> <li>* Juices</li> <li>* Honey</li> <li>* Butter</li> <li>* Margarine</li> <li>* Relish</li> </ul>	<ul style="list-style-type: none"> <li>* Medicine</li> <li>* Cough Syrup</li> <li>* Antibiotic</li> <li>* Blood Serum</li> <li>* Biological</li> </ul>	<ul style="list-style-type: none"> <li>* Toothpaste</li> <li>* Caulking</li> <li>* Glues/Adhesives</li> <li>* Grease/Oils</li> <li>* Zinc Gel</li> <li>* Abrasive.Kitchen/Bathroom Cleaner</li> <li>* Paints/Inks</li> <li>* Tooth Whitener</li> <li>* Fluxes</li> </ul>