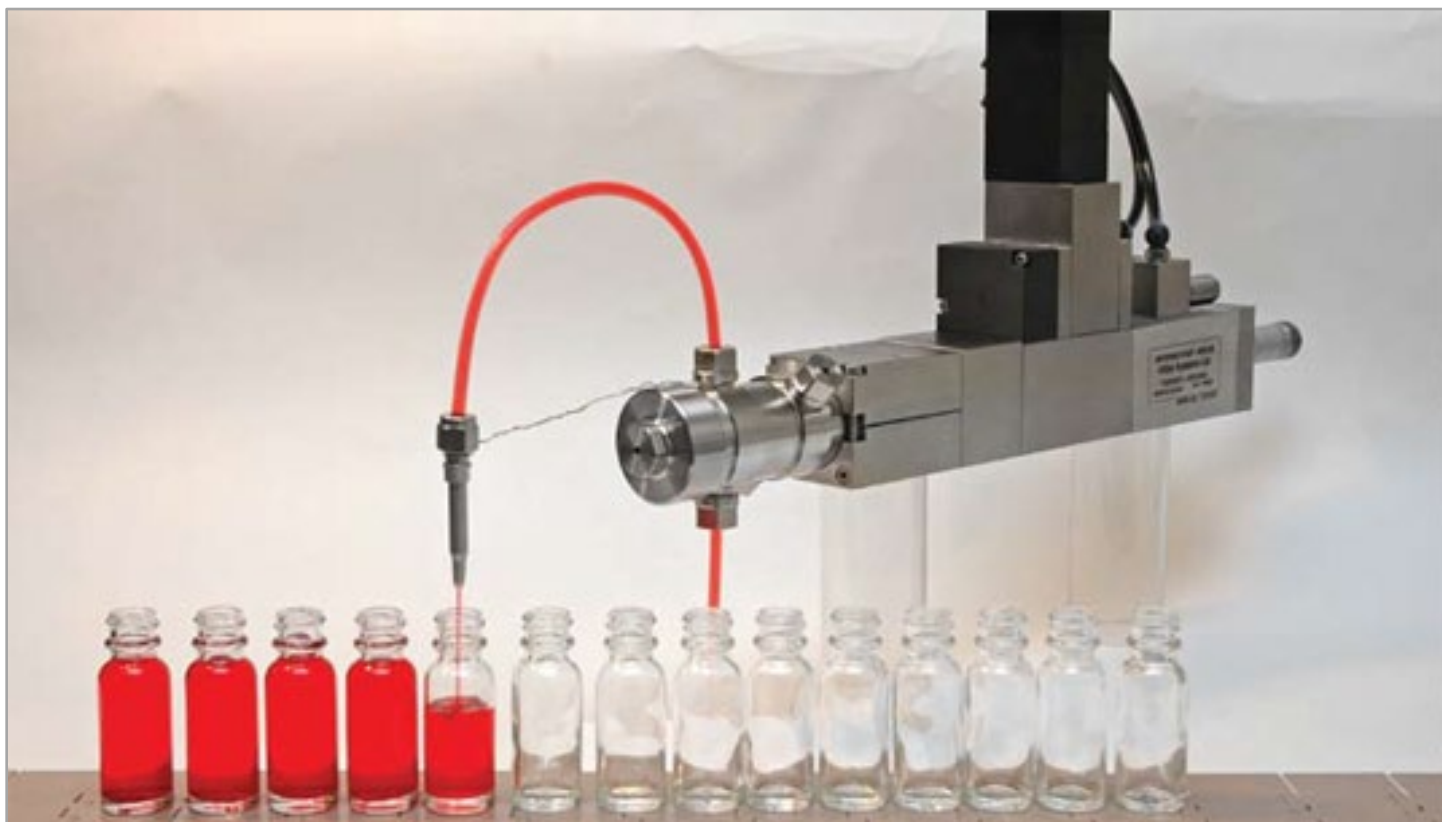


## RP Series Sealless Precision Metering Pumps

The RP Series Sealless Precision Metering Pumps are specifically designed to meet the stringent requirements of the Pharmaceutical Industry. The pumps feature close fitting sealless ceramic pistons and cylinders engineered for pharmaceutical liquid dispensing applications.

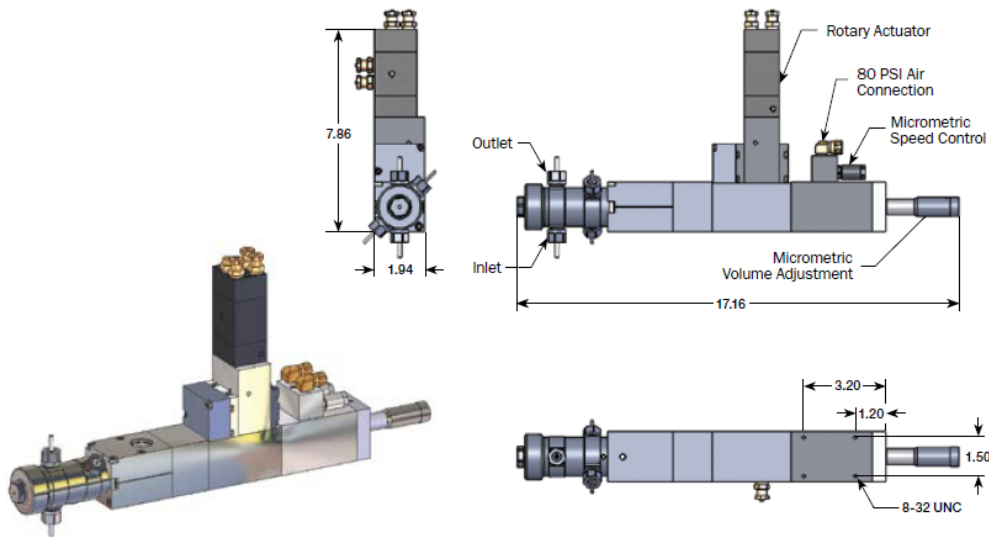
Our unique Rotary Piston design with precision fit cylinder requires no dynamic seals, making the pump easy to clean and maintain. The proven Pneumatic Drive provides modularity, flexibility at an affordable price.



### RP Series Sealless Precision Metering Pumps Features:

- \* Dispense volumes from 0 to 20 ml.
- \* No dynamic seals – Low maintenance.
- \* Positive Displacement Piston Pump delivers better than  $\pm 0.5\%$  volumetric accuracy.
- \* Standard 316L Stainless Steel construction.
- \* Modular design makes it easy to integrate with automated filling equipment.
- \* Wear resistant ceramic rotary piston valve handles low and high viscosity fluids with up to 100,000 cps.
- \* Compact footprint for easy mounting.
- \* No tools required for easy disassembly, cleaning and maintenance.
- \* Precise dispense volume and speed control via adjustment of the built-in micrometers and precision needle valves.
- \* Wide range of fill nozzles and accessories are available to suit specific applications.
- \* Servo motor driven models are also available.

# RP Series Sealless Precision Metering Pumps



Model	Plunger Diameter inch	mm	Stroke inch	(mm)	Maximum Dispensing Volume (cc)	Cycle Speed (cpm)	Air Consumption scfm (l/min)	Weight lbs lbs (kg)
1BRP-3	3/16	(4.8)	3/4	(19.05)	0.339	0-120 <sup>A</sup>	1.3 (36.8) <sup>B</sup>	12.3 (5.6)
1BRP-7	7/16	(11.1)			1.847			
1BRP-10	5/8	(15.9)			3.770			
1BRP-12	3/4	(19.1)	1	(25.40)	7.240	1-100	2.6 (73.6)	
1BRP-20	1-1/4	(31.8)			20.110			

## Applications

Cosmetics	Food	Pharmaceutical	General
<ul style="list-style-type: none"> <li>* Perfume</li> <li>* Creams</li> <li>* Lotions</li> <li>* Shampoos</li> <li>* Oils</li> <li>* Mouthwash</li> <li>* Nail Lacquer</li> <li>* Moisturizer</li> <li>* Skin Cleanser</li> <li>* Make-up Remover</li> </ul>	<ul style="list-style-type: none"> <li>* Ketchup</li> <li>* Vinegar</li> <li>* Honey</li> <li>* Butter</li> <li>* Coffee</li> <li>* Cream</li> <li>* Jelly</li> <li>* Sauces</li> <li>* Juices</li> <li>* Puddings</li> </ul>	<ul style="list-style-type: none"> <li>* Medicine</li> <li>* Culture Media</li> <li>* Biologicals</li> <li>* Antibiotics</li> <li>* Cough Syrup</li> </ul>	<ul style="list-style-type: none"> <li>* Acids</li> <li>* Alkalines</li> <li>* Reagents</li> <li>* Inks</li> <li>* Paints</li> <li>* Glues / Adhesives</li> <li>* Battery Electrolyte</li> <li>* Lighter Fluids</li> <li>* Oils</li> <li>* Solvents</li> </ul>