



HIBAR
SYSTEMS LIMITED

The Liquid Dispensing Specialists

4H SERIES PRECISION CHECK VALVE DISPENSING PUMPS

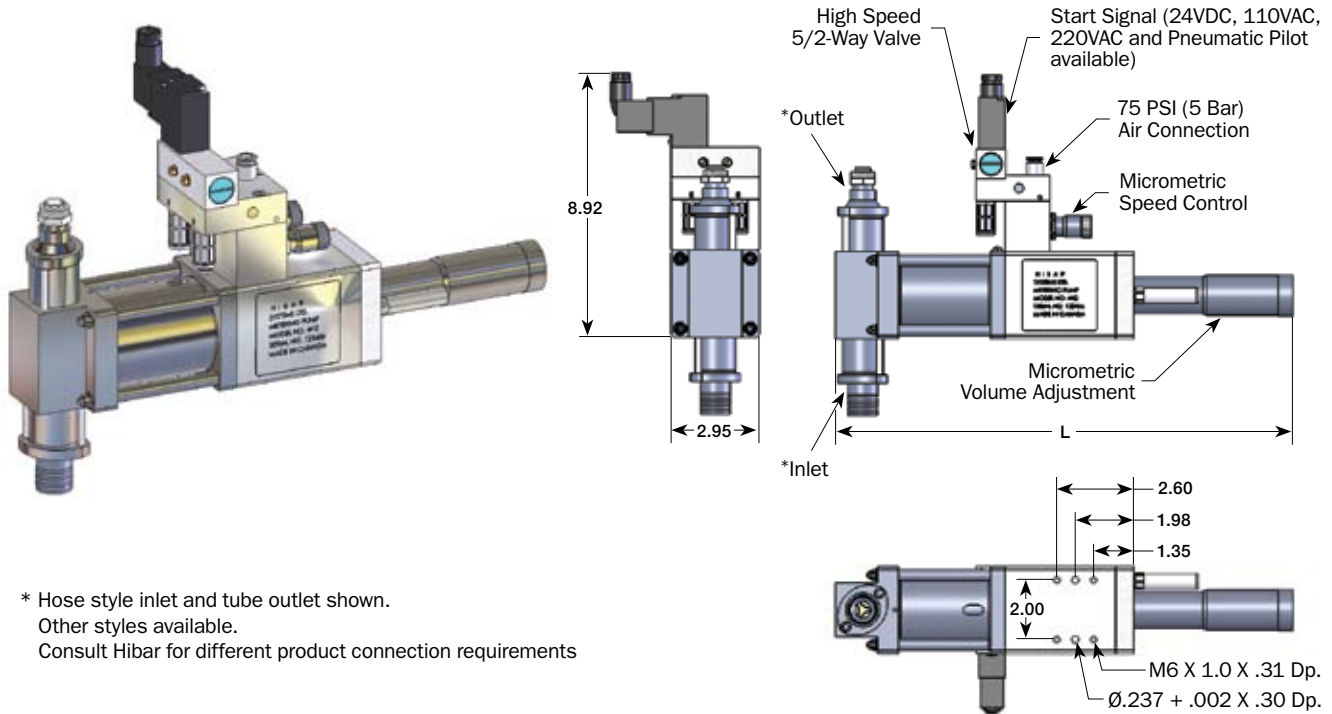


The **NEW HIBAR 4H SERIES CHECK VALVE STYLE DISPENSING PUMPS** are ideally suited for low to medium viscosity applications in food, cosmetic, technical and pharmaceutical industries. Dispensing accuracies of $\pm 1/2\%$ or better can be easily maintained without readjustment or recalibration.

4H SERIES PRECISION CHECK VALVE PUMP FEATURES

- High quality Stainless Steel construction.
- Integrated check valves handle fluids with viscosities up to 20,000 cps. and containing no solids.
- Easy to disassemble, clean and maintain.
- Dispensing accuracies of up to $\pm 1/2\%$ or better.
- Precise dispense volume and speed control via adjustment of the built-in micrometers.
- Modular design makes it easy to integrate with automated filling equipment.
- Completely self-contained pneumatics provide easy integration with virtually any automated filling equipment.
- Compact footprint for easy mounting.
- Long service life lasting for millions of cycles.
- Wide range of fill nozzles & accessories are available to suit specific applications.
- Servo motor driven models are also available. Consult Hibar for details.

PRECISION CV DISPENSING PUMPS SPECIFICATIONS AND APPLICATIONS



* Hose style inlet and tube outlet shown.
Other styles available.
Consult Hibar for different product connection requirements

Model	Plunger Diameter		Stroke		Maximum Dispensing Volume (cc)	Cycle Speed (cpm)	Air Consumption scfm (l/min)	L		Weight lbs (kg)
	inch	(mm)	inch	(mm)				inch	(mm)	
4H1-C-10	7/8	(22.23)	1.00	(25.4)	9.9	0-180 ^A	1.82 (51.5) ^B	12.47	(317.0)	13.75 (6.2)
4H1-C-30	1-5/8	(41.28)			34.0			11.47	(91.0)	
4H1-C-60	2-1/8	(53.98)			58.0			17.44	(443.0)	
4H2-C-20	7/8	(22.23)	2.00	(50.8)	20.0	0-150 ^A	3.02 (85.5) ^B	15.44	(392.0)	15.25 (6.9)
4H2-C-65	1-5/8	(41.28)			68.0			19.44	(494.0)	
4H2-C-110	2-1/8	(53.98)			116.0			22.44	(570.0)	
4H3-C-30	7/8	(22.23)	3.00	(76.2)	30.0	0-120 ^A	3.63 (102.8) ^B	19.44	(494.0)	16.75 (7.6)
4H3-C-100	1-5/8	(41.28)			102.0			21.24	(539.5)	
4H3-C-170	2-1/8	(53.98)			174.0			19.0	(8.6)	
4H4.5-C-150	1-5/8	(41.28)	4.50	(114.3)	153.0	0-90 ^A	4.08 (115.5) ^B			
4H4.5-C-260	2-1/8	(53.98)			261.0					

^A Maximum cycle rate is application dependant ^B Calculated at full stroke at 100cpm, 75 PSI (5 Bar)

APPLICATIONS				
Pharmaceutical	Cosmetics		Food	General
<ul style="list-style-type: none"> Medicine Culture Media Biologicals Antibiotics Cough Syrup 	<ul style="list-style-type: none"> Perfume Creams Lotions Shampoos Oils 	<ul style="list-style-type: none"> Mouthwash Nail Lacquer Moisturizer Skin Cleanser Make-up Remover 	<ul style="list-style-type: none"> Ketchup Vinegar Honey Butter Coffee 	<ul style="list-style-type: none"> Cream Jelly Sauces Juices Puddings
				<ul style="list-style-type: none"> Acids Alkalines Reagents Inks Paints Glues/Adhesives Battery Electrolyte Lighter Fluids Oils Solvents