



HIBAR
SYSTEMS LIMITED

The Liquid Dispensing Specialists

RP SERIES SEALLESS CERAMIC

PNEUMATIC

PRECISION METERING PUMPS



The **NEW HIBAR 'RP' SERIES SEALLESS PRECISION METERING PUMPS** are specifically designed to meet the stringent requirements of the Pharmaceutical Industry. The pumps feature close fitting sealless ceramic pistons and cylinders engineered for Pharmaceutical liquid dispensing applications.

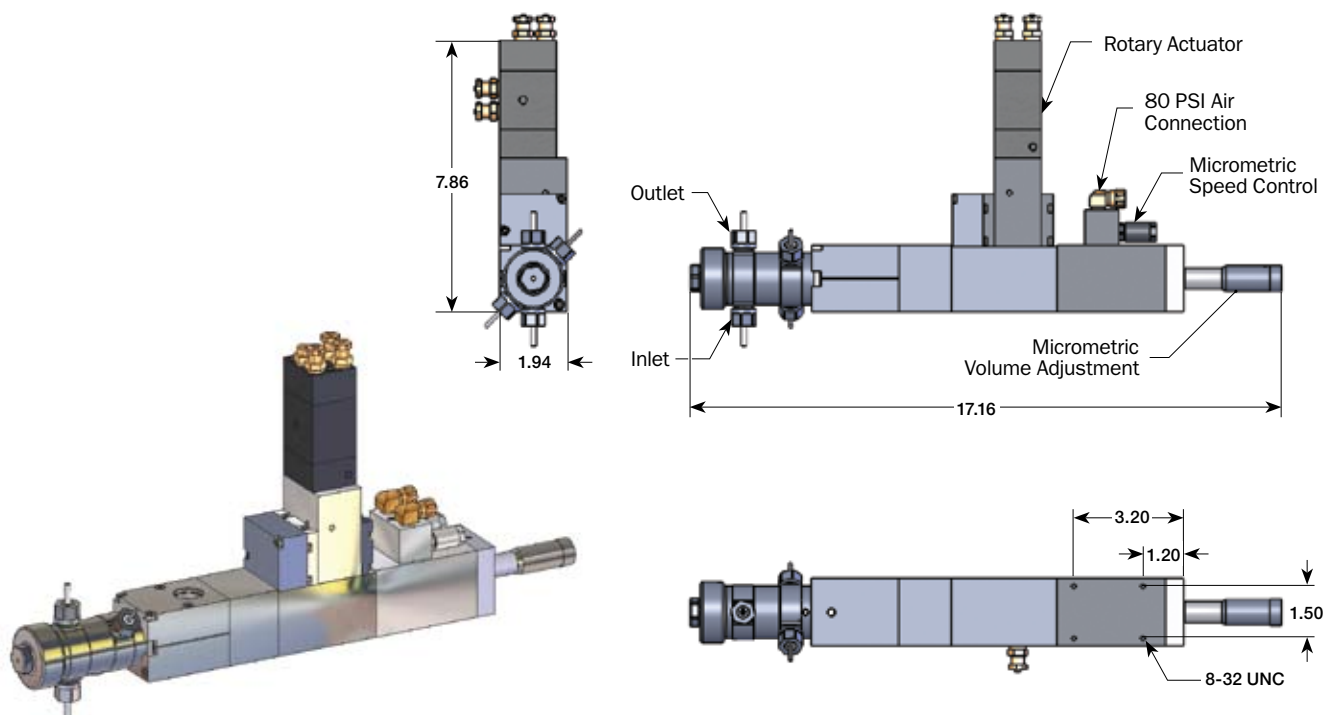
Our unique Rotary Piston design with precision fit cylinder requires no dynamic seals, making the pump easy to clean and maintain. The proven Pneumatic Drive provides modularity, flexibility at an affordable price.

RP SERIES PRECISION METERING PUMPS FEATURES

- Dispense volumes from 0 to 20 ml.
- No dynamic seals – Low maintenance.
- Positive Displacement Piston Pump delivers better than $\pm 0.5\%$ volumetric accuracy.
- Standard 316L Stainless Steel construction.
- Modular design makes it easy to integrate with automated filling equipment.
- Wear resistant ceramic rotary piston valve handles low and high viscosity fluids with up to 100,000 cps.
- Compact footprint for easy mounting.
- No tools required for easy disassembly, cleaning and maintenance.
- Precise dispense volume and speed control via adjustment of the built-in micrometers and precision needle valves.
- Wide range of fill nozzles and accessories are available to suit specific applications.
- Servo motor driven models are also available. Consult Hibar for details.

www.hibar.com

PNEUMATIC PRECISION METERING PUMPS SPECIFICATIONS AND APPLICATIONS



Model	Plunger Diameter		Stroke inch (mm)	Maximum Dispensing Volume (cc)	Cycle Speed (cpm)	Air Consumption scfm (l/min)	Weight lbs (kg)
	inch	mm					
1BRP-3	3/16	(4.8)	3/4 (19.05)	0.339	0-120 ^A	1.3 (36.8) ^B	12.3 (5.6)
1BRP-7	7/16	(11.1)		1.847			
1BRP-10	5/8	(15.9)		3.770			
1BRP-12	3/4	(19.1)	1 (25.4)	7.24	1-100	2.6 (73.6)	
1BRP-20	1-1/4	(31.8)		20.11			

^A Maximum cycle rate is application dependant ^B Calculated at full stroke at 100cpm, 80psi

APPLICATIONS

Pharmaceutical	Cosmetics	Food	General
<ul style="list-style-type: none"> Medicine Culture Media Biologicals Antibiotics Cough Syrup 	<ul style="list-style-type: none"> Perfume Creams Lotions Shampoos Oils Mouthwash Nail Lacquer Moisturizer Skin Cleanser Make-up Remover 	<ul style="list-style-type: none"> Ketchup Vinegar Honey Butter Coffee Cream Jelly Sauces Juices Puddings 	<ul style="list-style-type: none"> Acids Alkalines Reagents Inks Paints Glues/Adhesives Battery Electrolyte Lighter Fluids Oils Solvents