



HIBAR
SYSTEMS LIMITED

The Liquid Dispensing Specialists

4H SERIES PRECISION CHECK VALVE DISPENSING PUMPS



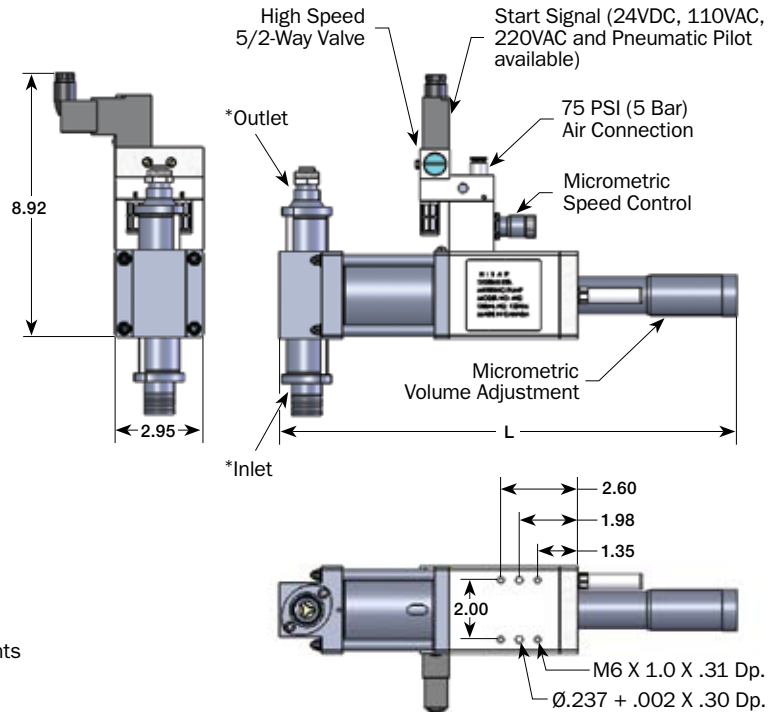
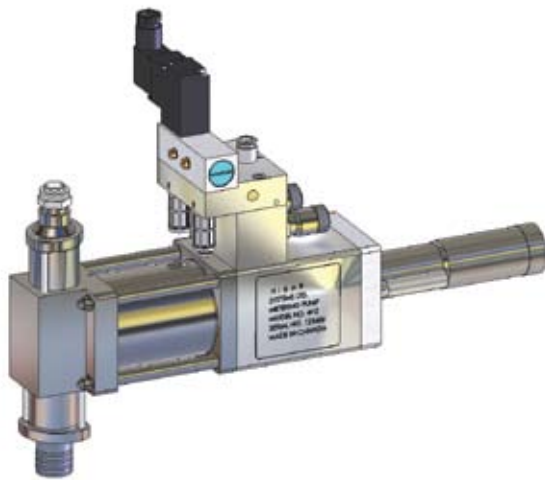
The **NEW HIBAR 4H SERIES CHECK VALVE STYLE DISPENSING PUMPS** are ideally suited for low to medium viscosity applications in food, cosmetic, technical and pharmaceutical industries. Dispensing accuracies of $\pm 1/2\%$ or better can be easily maintained without readjustment or recalibration.

4H SERIES PRECISION CHECK VALVE PUMP FEATURES

- High quality Stainless Steel construction.
- Integrated check valves handle fluids with viscosities up to 20,000 cps. and containing no solids.
- Easy to disassemble, clean and maintain.
- Dispensing accuracies of up to $\pm 1/2\%$ or better.
- Precise dispense volume and speed control via adjustment of the built-in micrometers.
- Modular design makes it easy to integrate with automated filling equipment.
- Completely self-contained pneumatics provide easy integration with virtually any automated filling equipment.
- Compact footprint for easy mounting.
- Long service life lasting for millions of cycles.
- Wide range of fill nozzles & accessories are available to suit specific applications.
- Servo motor driven models are also available. Consult Hibar for details.

www.hibar.com

PRECISION CV DISPENSING PUMPS SPECIFICATIONS AND APPLICATIONS



* Hose style inlet and tube outlet shown.
Other styles available.
Consult Hibar for different product connection requirements

| Model | Plunger Diameter | | Stroke | | Maximum Dispensing Volume (cc) | Cycle Speed (cpm) | Air Consumption scfm (l/min) | L | | Weight lbs (kg) |
|-------------|------------------|---------|--------|---------|--------------------------------|--------------------|------------------------------|-------|---------|-----------------|
| | inch | (mm) | inch | (mm) | | | | inch | (mm) | |
| 4H1-C-10 | 7/8 | (22.23) | 1.00 | (25.4) | 9.9 | 0-180 ^A | 1.82 (51.5) ^B | 12.47 | (317.0) | 13.75 (6.2) |
| 4H1-C-30 | 1-5/8 | (41.28) | | | 34.0 | | | 11.47 | (91.0) | |
| 4H1-C-60 | 2-1/8 | (53.98) | | | 58.0 | | | 17.44 | (443.0) | |
| 4H2-C-20 | 7/8 | (22.23) | 2.00 | (50.8) | 20.0 | 0-150 ^A | 3.02 (85.5) ^B | 15.44 | (392.0) | 15.25 (6.9) |
| 4H2-C-65 | 1-5/8 | (41.28) | | | 68.0 | | | 19.44 | (494.0) | |
| 4H2-C-110 | 2-1/8 | (53.98) | | | 116.0 | | | 22.44 | (570.0) | |
| 4H3-C-30 | 7/8 | (22.23) | 3.00 | (76.2) | 30.0 | 0-120 ^A | 3.63 (102.8) ^B | 19.44 | (494.0) | 16.75 (7.6) |
| 4H3-C-100 | 1-5/8 | (41.28) | | | 102.0 | | | 21.24 | (539.5) | |
| 4H3-C-170 | 2-1/8 | (53.98) | | | 174.0 | | | 19.0 | (8.6) | |
| 4H4.5-C-150 | 1-5/8 | (41.28) | 4.50 | (114.3) | 153.0 | 0-90 ^A | 4.08 (115.5) ^B | | | |
| 4H4.5-C-260 | 2-1/8 | (53.98) | | | 261.0 | | | | | |

^A Maximum cycle rate is application dependant ^B Calculated at full stroke at 100cpm, 75 PSI (5 Bar)

APPLICATIONS

| Pharmaceutical | Cosmetics | Food | General |
|--------------------------------------------------------------------------------------------------------------------------------------------------|------------------------------------------------------------------------------------------------------------------------------------------------------------------------------------------------------------------------------------------|-----------------------------------------------------------------------------------------------------------------------------------------------------------------------------------------------------------|------------------------------------------------------------------------------------------------------------------------------------------------------------------------------------------------------------------------------------------|
| <ul style="list-style-type: none"> Medicine Culture Media Biologicals Antibiotics Cough Syrup | <ul style="list-style-type: none"> Perfume Creams Lotions Shampoos Oils Mouthwash Nail Lacquer Moisturizer Skin Cleanser Make-up Remover | <ul style="list-style-type: none"> Ketchup Vinegar Honey Butter Coffee Cream Jelly Sauces Juices Puddings | <ul style="list-style-type: none"> Acids Alkalines Reagents Inks Paints Glues/Adhesives Battery Electrolyte Lighter Fluids Oils Solvents |